



REMOTE CONTROL ENCODER SC2262

DESCRIPTION

SC2262 is a remote control encoder paired with SC2272 utilizing CMOS Technology. It encodes data and address pins into a serial coded waveform suitable for RF or IR modulation. SC2262 has a maximum of 12 bits of tri-state address pins providing up to 531,441 address codes; thereby, drastically reducing any code collision and unauthorized code scanning possibilities.

FEATURES

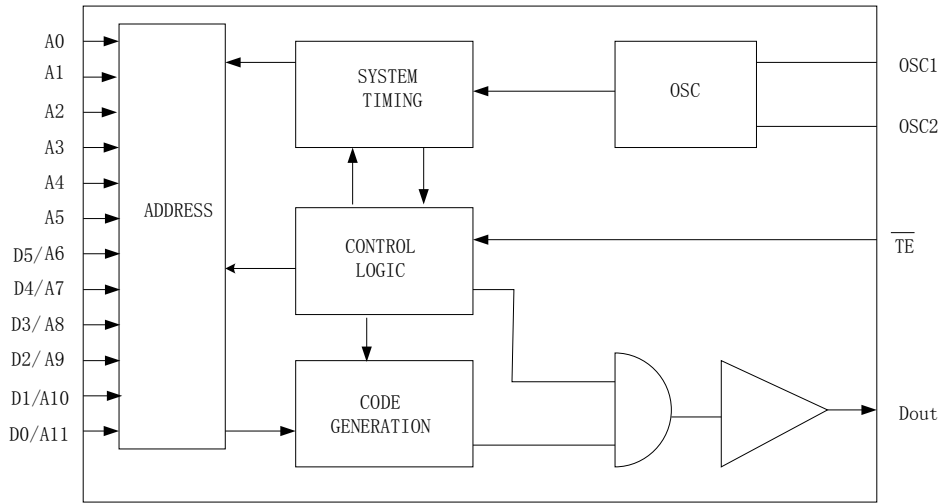
- CMOS Technology
- Low power consumption
- Very high noise immunity
- Up to 12 tri-state code address pins
- Up to 6 data pins
- Wide range of operating Voltage: 2 –13 volts
- Single resistor oscillator
- Latch or momentary output type
- Available in DIP and SO package

APPLICATIONS

- Motor car, bike etc. Security system
- Garage door controller
- Remote control fan
- Home security automation system
- Remote control toys
- Remote control for industrial use

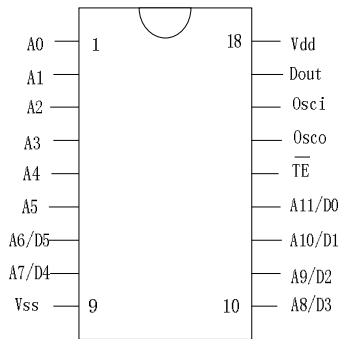


BLOCK DIAGRAM

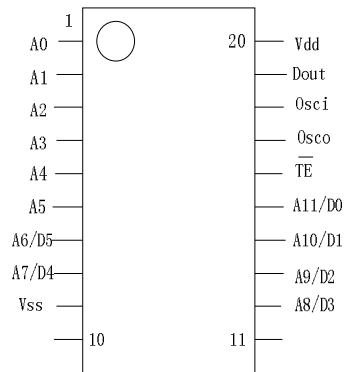


SC2262

PIN CONFIGURATION



DIP18
SC2262
SC2262IR

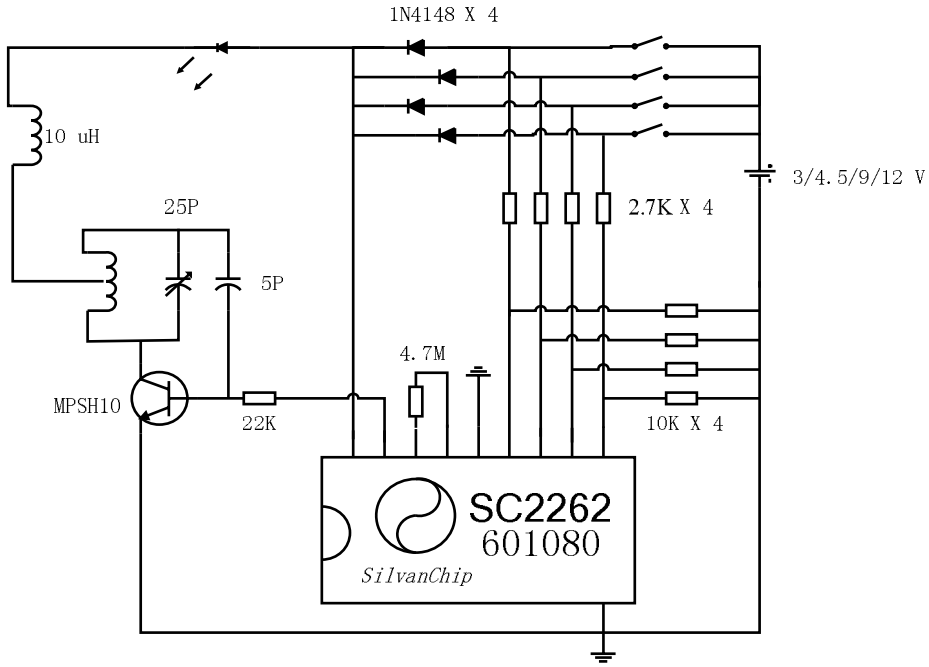


SOP20
SC2262
SC2262IR

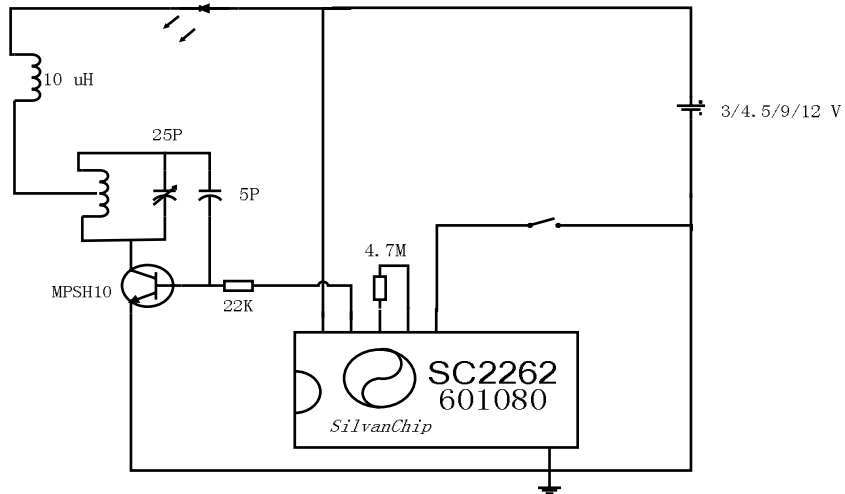


APPLICATIONS CIRCUIT

UHF band 4 data transmitter circuit is recommended

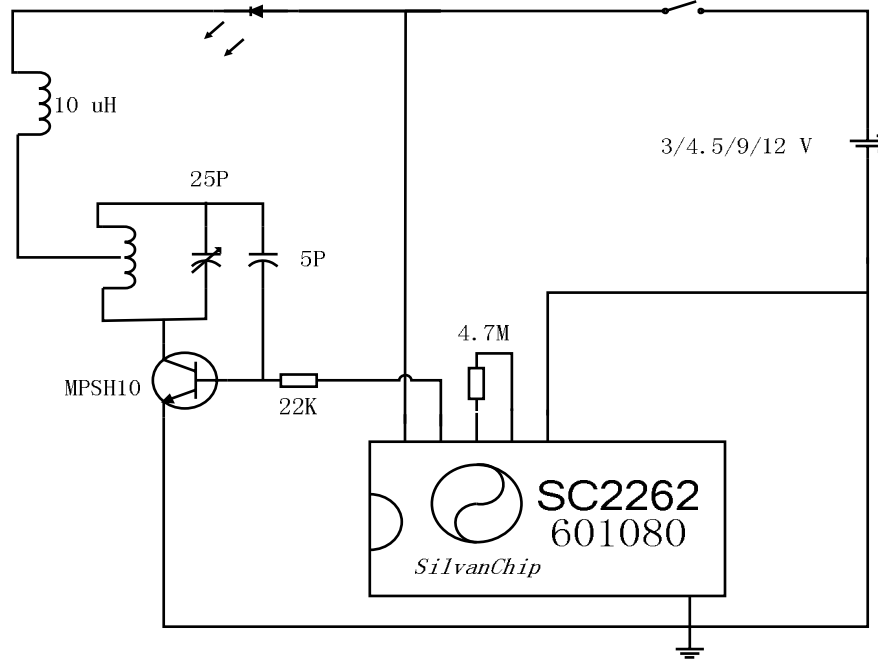


UHF band address-only (zero-data) transmitter circuit is recommended





UHF band address-only (zero data) zero-stand-by transmitter circuit is recommended



Infrared ray 6 data circuit adjust
Rose to get 38K Hz carrier pulse at
Dout pin is recommended

